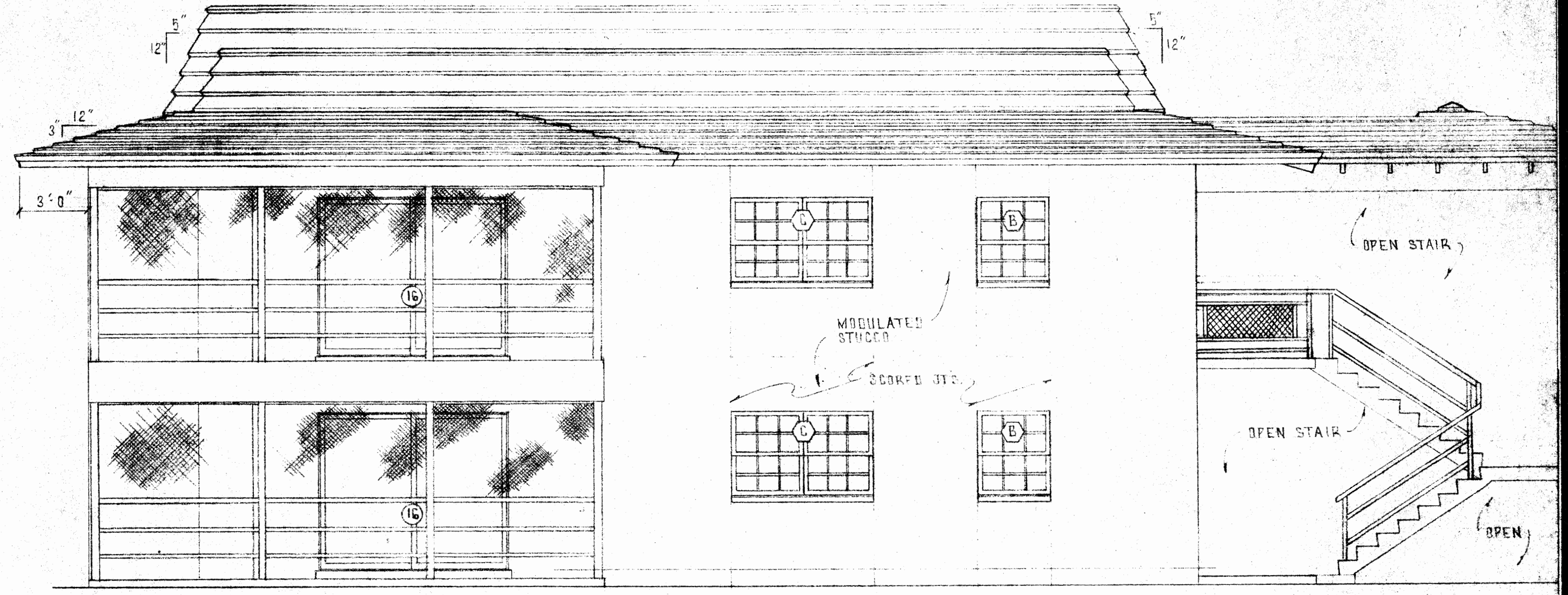
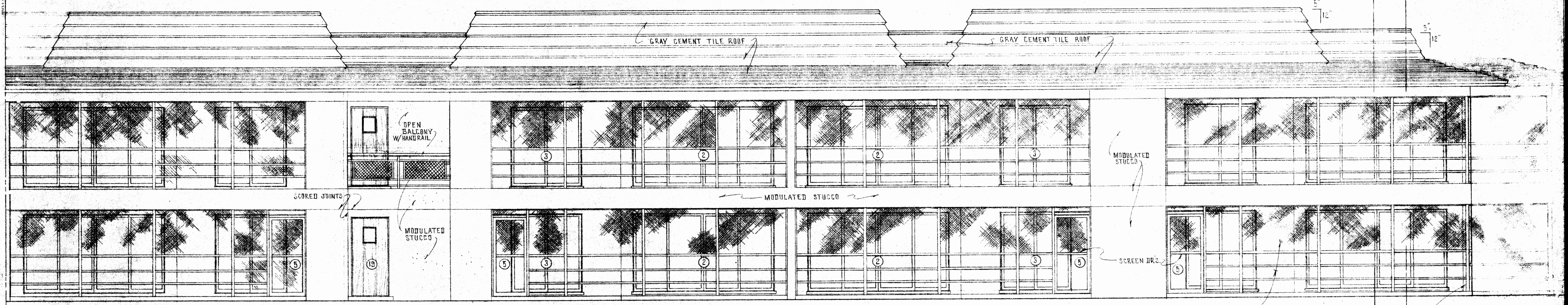


REAR ELEVATION
SCALE: 1/4" = 1'-0"

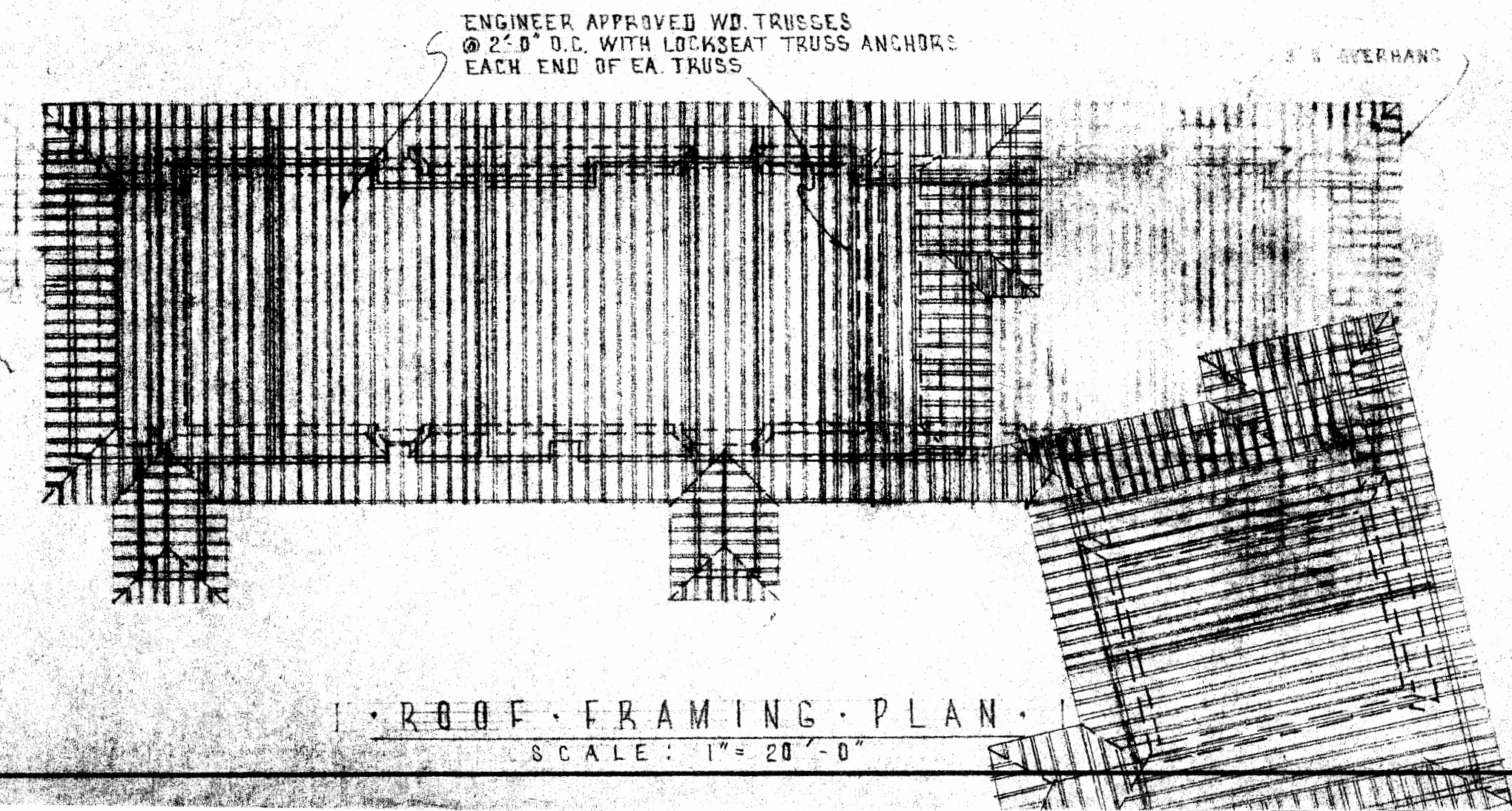


LEFT END ELEVATION
SCALE: 1/4" = 1'-0"

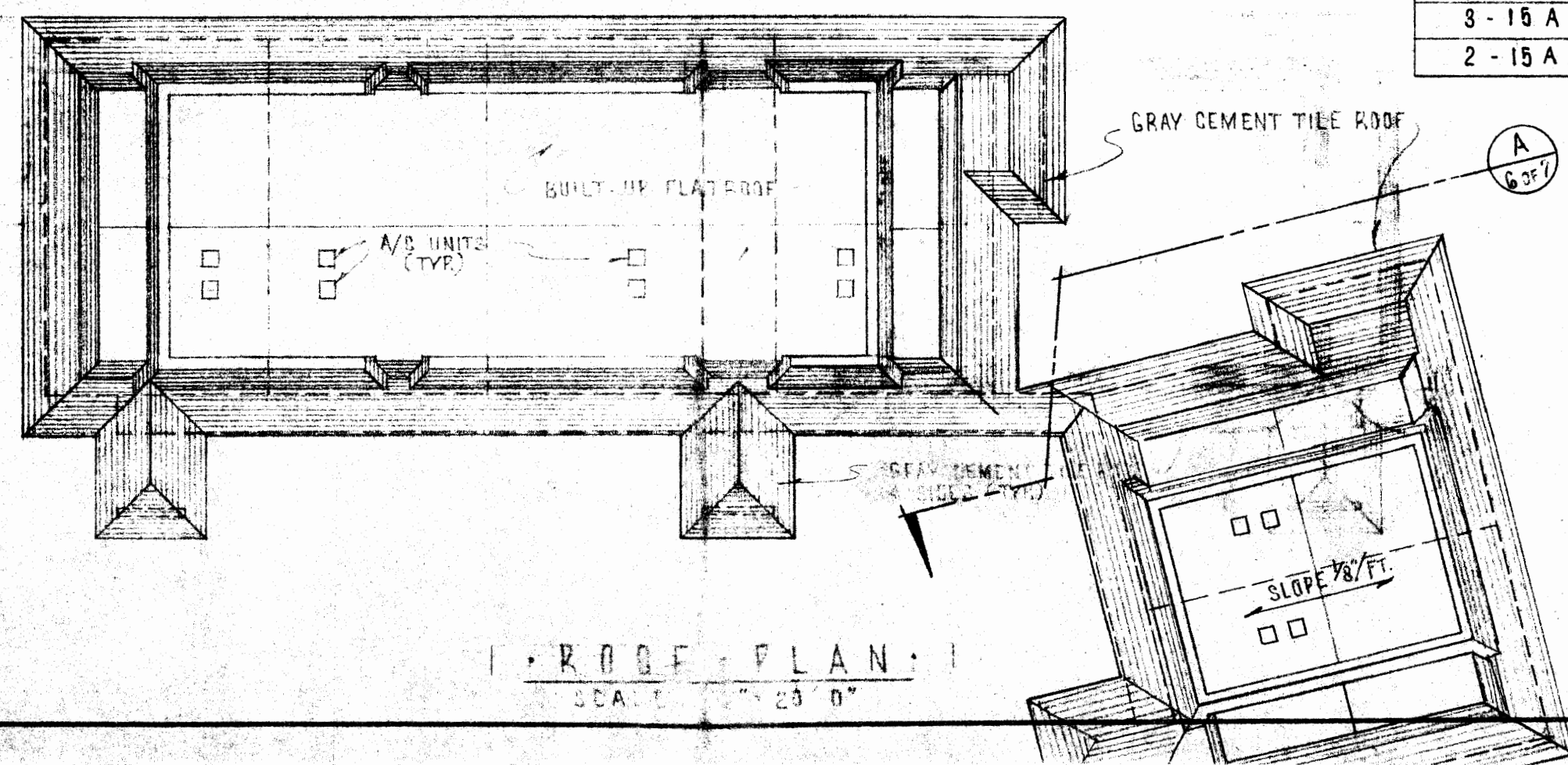
NOTE: THESE ELEVATIONS ARE TYPICAL FOR THIS TYPE BLDG (TYPE A).



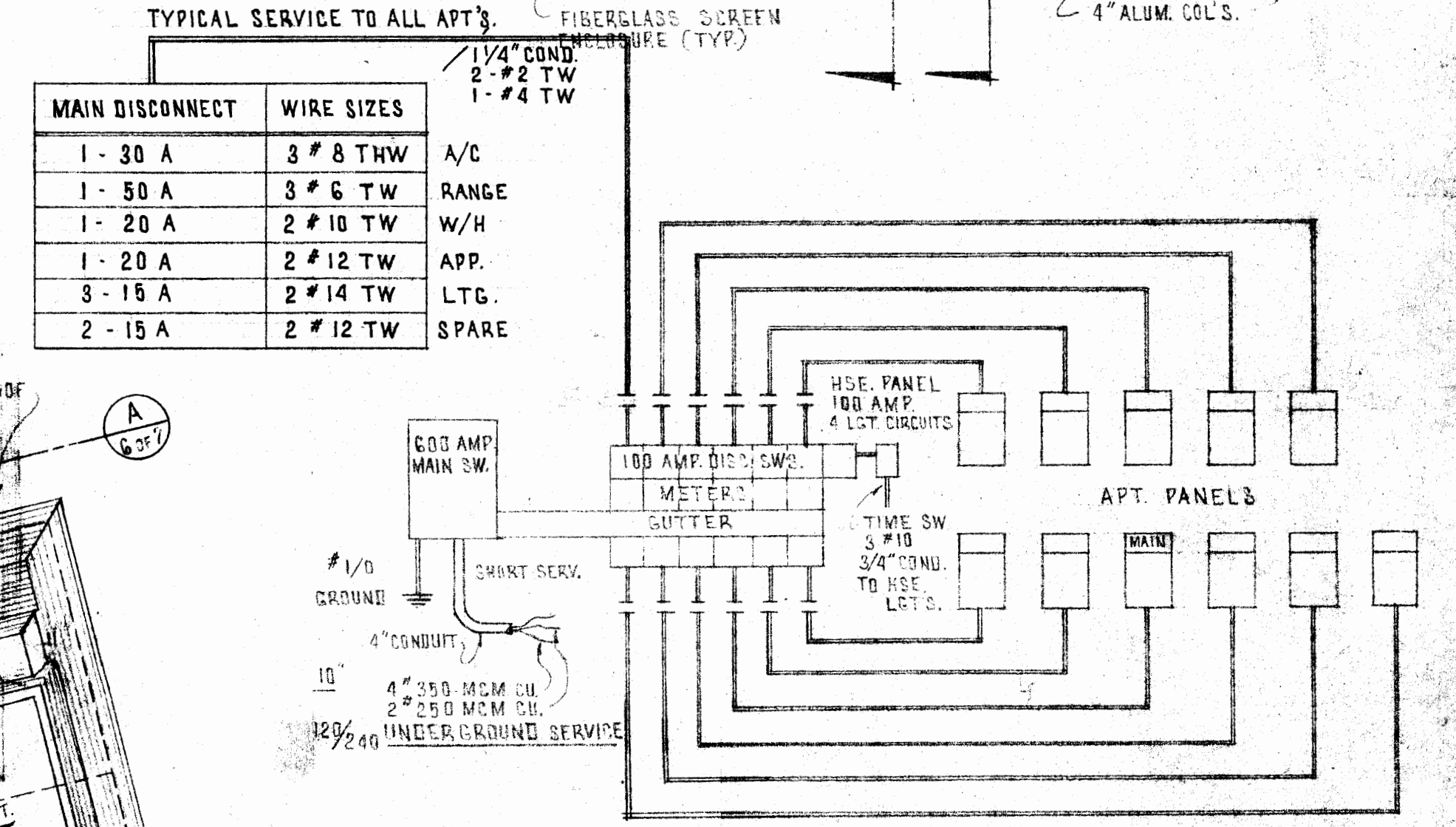
REAR ELEVATION (CONT.)
SCALE: 1/4" = 1'-0"



ROOF FRAMING PLAN
SCALE: 1" = 20'-0"



ROOF PLAN
SCALE: 1" = 20'-0"



COLLINS AND COMPANY
consulting engineers
2500 FOREST HILL BLVD. AVARD • WEST PALM BEACH • FLORIDA 33406

WINDJAMMER • 12 • UNIT • CONDO •
BUILDING • A • THE STAR OF INDIA •
REAR & LEFT END EXTERIOR ELEVATIONS AND
ROOF & ROOF FRAMING PLAN

revisions
designed by
scale
AS NOTED
date
12-5-72
6 of 7
drawing number
212114